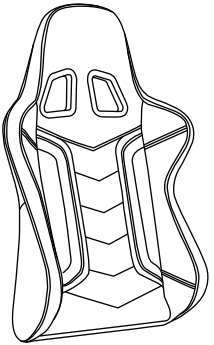



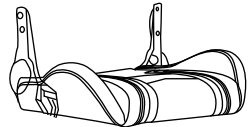
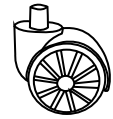
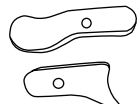
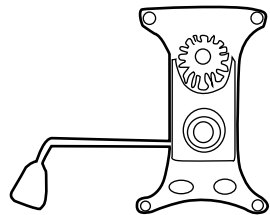




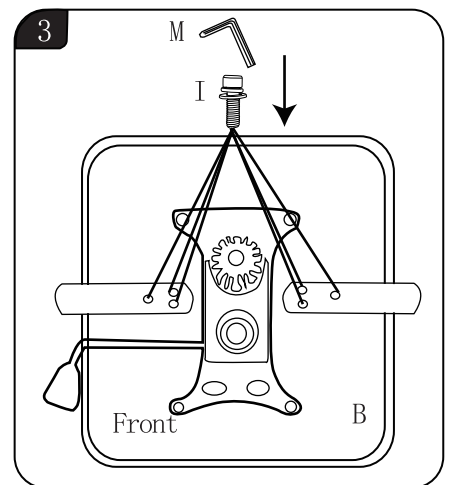
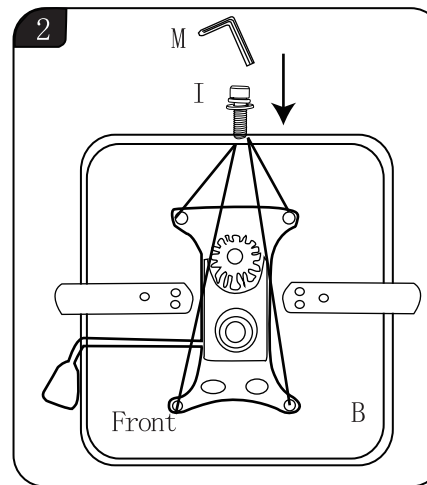
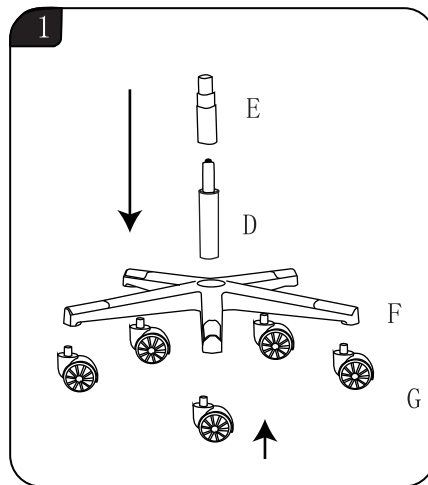


<p>A x1</p> 	<p>D x1</p>  <p>E x1</p>  <p>F x1</p> 
<p>B x1</p> 	<p>G x5</p>  <p>H x2</p> 
<p>C x1</p> 	<p>I x10</p>  M8X20mm <p>J x4</p>  M8X25mm <p>L x2</p>  M5X8 mm <p>M x1</p> 



Cleaning:
 ➔ If you experience any stains on the chair, please apply regular leather polish onto a soft towel and rub it on the stain, until it dissolves.
Note: Do not apply leather polish directly on the chair

